

## Masport R3000 Pedestal, Leg, Ash & Wood Stacker Technical Specifications (For both Clean-air & Rural Models)

(These instructions must be used in conjunction with the "General Installation Instructions" for Masport Fires)

**R3000 burner models have been tested and complies to following standards & tests:**  
**NZ National Environmental Test Standards - AS/NZS 4012:2014 and AS/NZS 4013:2014.**  
**NZ National Environmental Safety Test Standard - AS/NZS 2918:2001**

<b>Overall Dimensions</b>	623mm Wide x 522mm Deep x 690mm High		
<b>Weight</b>	120 kg		
<b>Test Method</b>	<b>Emissions mg/MJ</b>	<b>Emissions g/kg</b>	<b>Efficiency %</b>
<b>National Environment Standard AS/NZS 4012/13:2014</b>	27 mg/MJ	0.36 g/kg	66.2%
<b>ECan Authorization Number :</b>	Pedestal - CRC186018 Wood Stacker - CRC191125	Leg - CRC186019 Ash - CRC191126	
<b>Approx. Heating Capacity</b>	<b>Small to Medium Homes</b>		
<b>Flue Shield</b>	900mm Long Masport SS Double Flue Shield		
<b>Flue System</b>	Std 4.2M Long, 150mm Masport Flue System or Flue System that has been tested to and comply with AS/NZS 2918:2001 Appendix F.		
<b>Floor Protector Requirement</b>	Ash Floor Protector		

### Minimum Clearances to Combustibles:

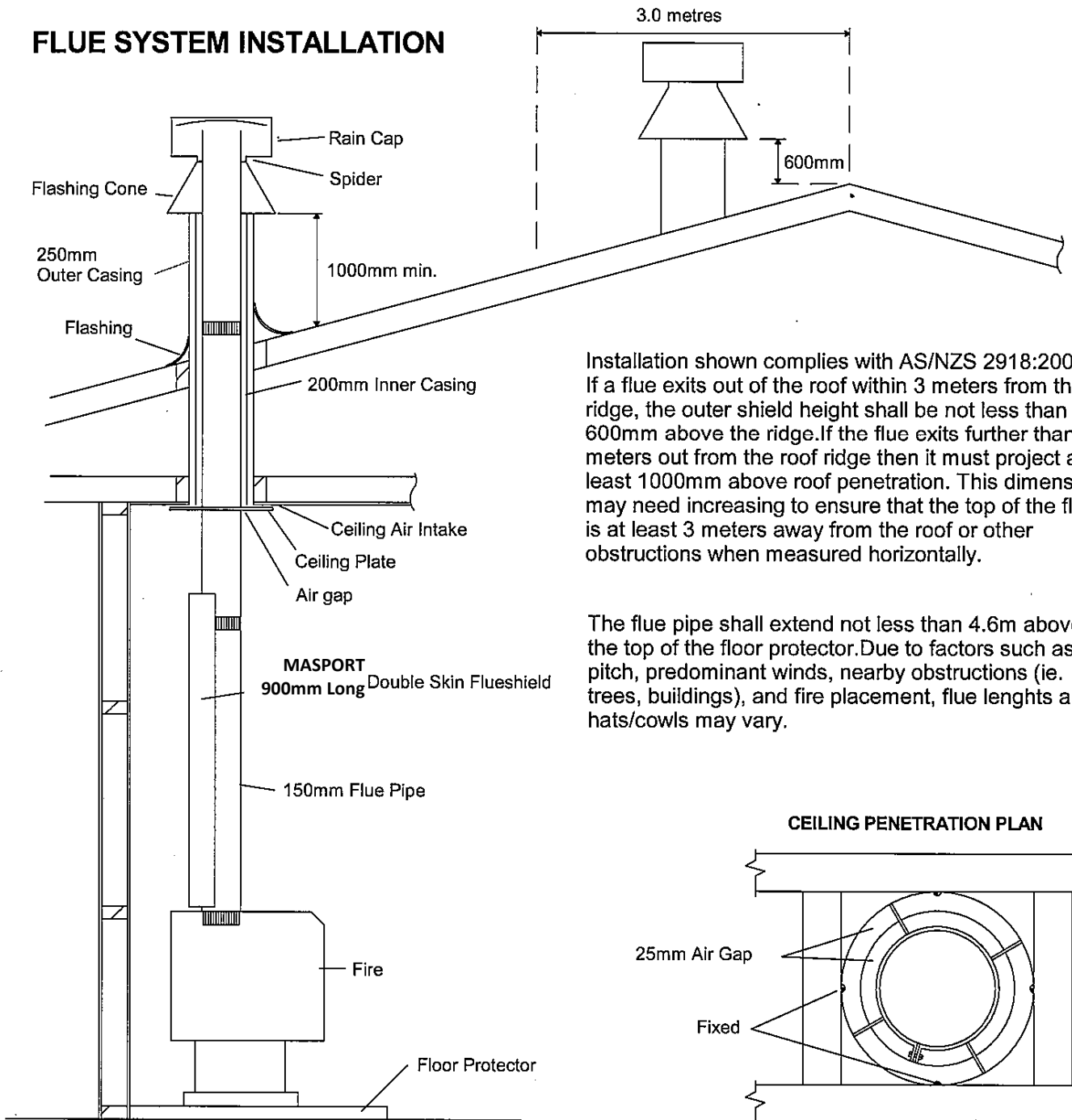
Parallel Installation	Corner Installation

**Note:** Ensure that Rear Shield Plate supplied loose inside the fire is fitted on to the Rear panel as per instruction on page 3.

A- Rear Panel to Rear Wall	100 mm	C- Glass to Floor Protector Front	300 mm
B- Cooktop Edge to Side Wall	230 mm	E- Cooktop Corner to Wall	100 mm
C- Glass to Floor Protector Front	300 mm	H- Flue Centre to Wall	446 mm
D- Floor Protector Side	100 mm	<b>L- Floor Protector Diagonal</b>	<b>1224 mm</b>
F- Flue Centre to Rear Wall	290 mm	<b>M- Floor Protector Side</b>	<b>1050 mm</b>
G- Flue Centre to Side Wall	542 mm	N- Flue Centre to Floor Protector Front	593 mm
I- Floor Protector Front Edge	523 mm	R- Flue Centre to Wall Corner	631 mm
<b>J- Floor Protector Width</b>	<b>823 mm</b>	WW- Overall Width of Fire	623 mm
<b>K- Floor Protector Depth</b>	<b>883 mm</b>	DD- Overall Depth of Fire	522 mm
		HH- Overall Height of Fire	690 mm

**Seismic Restraint** - In New Zealand it is required that the wood burner and floor protector are secured to prevent shifting in the event of an earthquake. This is best done by fastening the wood burner right through the protector to the floor, using 8mm DynaBolts or 8mm coach screws or equivalent toggle fasteners for wooden floors of appropriate lengths. Seismic holes are at the rear of the burner.

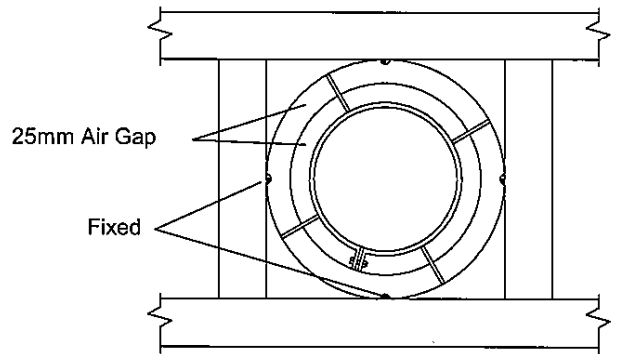
# FLUE SYSTEM INSTALLATION



Installation shown complies with AS/NZS 2918:2001. If a flue exits out of the roof within 3 metres from the ridge, the outer shield height shall be not less than 600mm above the ridge. If the flue exits further than 3 metres out from the roof ridge then it must project at least 1000mm above roof penetration. This dimension may need increasing to ensure that the top of the flue is at least 3 metres away from the roof or other obstructions when measured horizontally.

The flue pipe shall extend not less than 4.6m above the top of the floor protector. Due to factors such as roof pitch, predominant winds, nearby obstructions (ie. trees, buildings), and fire placement, flue lengths and hats/cowls may vary.

## CEILING PENETRATION PLAN



Above plan is valid only for flue manufactured by Glen Dimplex New Zealand Ltd

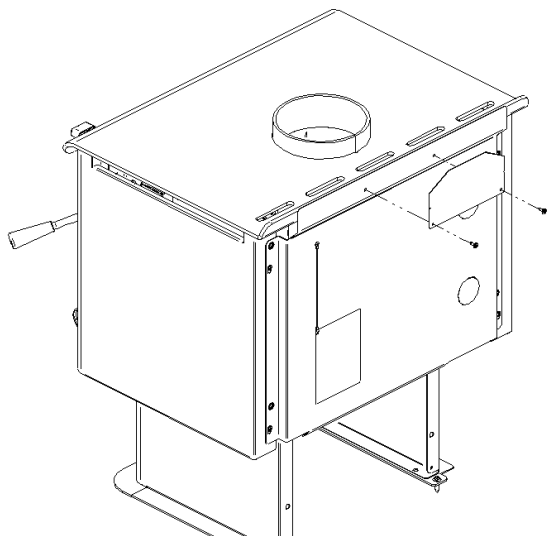
For other products, use specific flue installation specifications supplied by the manufacturer.

FLUE SYSTEM INSTALLATION 150mm

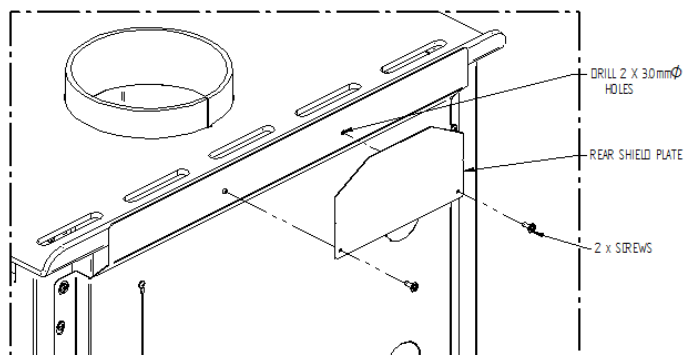
## Instructions for installing Rear Shield Plate

Rear heat shield plate must be installed on top of the rear panel of R3000. This plate is placed loose in the firebox or can be obtained from your dealer. This shield plate should be fitted before locating the burner in place and before flue and flue-shield is installed

Step 1 – Top flange of rear panel has 2 holes predrilled for fitting the rear heat shield.



Step 2 – Screw in the shield plate using 2 x 8G self-tapper screws supplied.



Assembled view with flue, flue-shield and the rear shield plate

